



### Product specification (design and specification subject to change without notice)

#### ■ DISPLAY PANEL

Screen Size (Diagonal)	85.6-inch (2174.2 mm)
Panel type / Backlight	ADS / Direct-LED
Aspect ratio	16:9
Effective Display Area (W x H)	1895.0 x 1065.9 mm (74.60" x 41.96")
Resolution (H x V)	3840 x 2160
Brightness (Typ.)	500 cd/m <sup>2</sup>
Contrast Ratio (Typ.)	1200:1
Dynamic Contrast Ratio (Typ.)	50000:1
Max. Display Colors	Approx. 1.06 Billion
Response Time (Typ.)	8.0 ms (G to G)
Viewing Angle (Horizontal / Vertical)	178°/178° (CR > 10)
Panel Life Time <sup>1</sup> (Typ.)	Approx. 50000 hours
Panel Surface Treatment	Anti-glare type (Haze 25%)

<sup>1</sup>When the panel lifetime is at 50% of the brightness under the condition of 25 degrees Celsius (+/- 2 degrees Celsius).

#### ■ CONNECTION TERMINAL

HDMI IN	HDMI Type A Connector x 3	Linear PCM (Sampling frequency : 48 kHz/44.1 kHz/32 kHz) Compatible with HDCP 2.2
PC IN	Mini D-Sub 15-pin (DCC2B) x 1	Y/G : with sync 1.0 V [p-p] (75 Ω) : without sync 0.7 V [p-p] (75 Ω) P <sub>B</sub> /C <sub>B</sub> /B : without sync 0.7 V [p-p] (75 Ω) P <sub>R</sub> /C <sub>R</sub> /R : without sync 0.7 V [p-p] (75 Ω) HD/VD : TTL (high impedance)
SERIAL IN	D-sub 9pin x 1, RS-232C Compatible	
IR IN / OUT	Stereo Mini Jack (Φ3.5 mm) x 1 / x 1	
AUDIO IN	Stereo Mini Jack (Φ3.5 mm) x 1 (Shared video input except USB and MEMORY VIEWER)	0.5 V [rms]
AUDIO OUT	Stereo Mini Jack (Φ3.5 mm) x 1 Variable (-∞ - 0 dB) (1 kHz 0 dB Input, 10 kΩ Load)	0.5 V [rms]
LAN	RJ45 x 1 compatible with PLink™ RJ45 10BASE-T/100BASE-TX	
USB	USB Type A Connector x 1 (DC 5V / 1 A, USB 3.0 is supported) USB Type A Connector x 1 (DC 5V / 2 A, USB 2.0 is supported) USB Type C Connector x 1 (Max 60 W Power Delivery compatible, USB2.0 is supported, DP Alt Mode compatible)	
Function slot	Intel® SDM specification Corresponding size SDM-S / SDM-L, Supply power 3.3 V / 1.1 A, 12 V / 5.5 A	

#### ■ AUDIO

Built in Speaker	20 W [10 W+10 W]
------------------	------------------

#### ■ ELECTRICAL

Power Requirements	AC 110 - 240 V 50 Hz / 60 Hz
Power Consumption	580 W
On Mode Average Power Consumption <sup>1</sup>	480 W
Power Off Condition	Approx. 0.3 W
Stand-by Condition	Approx. 0.5 W
Apparent power	591 VA

<sup>1</sup>Based on IEC 62087 Ed.2 measurement method

#### ■ MECHANICAL

Dimension (W x H x D) including handles	1929 x 1100 x 96 mm (75.95" x 43.31" x 3.76")
	not including handles 1929 x 1100 x 70 mm (75.95" x 43.31" x 2.74")
Weight	50.7 kg (111.8 lbs)
Bezel Color	Black
Bezel Width	T/B/L/R 15.5 mm (0.61")
Carton Dimensions (W x H x D)	2130 x 1321 x 248 mm (83.86" x 52.01" x 9.77")
Gross Weight	71 kg (156.5 lbs)
Cabinet Material	Bezel: Metal / Back: Metal
Pitch for Wall-Hanging	VESA Compliant 600 x 400 mm (Installed by: M8 screws / Screw hole depth 20 mm)

#### ■ INSTALLATION

Orientation	Landscape / Portrait
Tilting Angle	Landscape : 0 - 20 degrees forward / backward Portrait : 0 - 20 degrees forward / backward

<sup>1</sup>Please contact your sales representative with regard to the tilt angle before installation.

<sup>2</sup>When you install the product upright, be sure to make the power lamp of the main body come to the upper side.

#### ■ ENVIRONMENTAL

Operating Environment	Temperature : 0°C to 40°C <sup>1</sup> : 0°C to 35°C <sup>2</sup>
	Humidity : 20% to 80% (No condensation)

<sup>1</sup>for up to 1400 m altitude <sup>2</sup>for between 1400 m and 2800 m altitude

- Depending on the temperature or humidity conditions, uneven brightness may be observed. This is not a malfunction.
- This unevenness will disappear while applying current continuously. If not, consult the distributor.

**MAIN FEATURE**

Input search/Input detection	Yes
Failover/Failback	Yes
Digital Zoom	Yes
Multi-screen setting/display	Yes
Portrait zoom	Yes
Power on Screen Delay	Yes
Auto setting	Yes
Screen Saver	Yes
HDMI Power Management	Yes
PC Power Management	Yes
Power save	Yes
Button Lock	Yes
Controller user level	Yes
12-segment color management	Yes
Color enhancement	Yes
Refine enhancer	Yes
Gradation smoother	Yes
Dynamic backlight control	Yes
Set up timer	Yes
AMX D.D.	Yes
Crestron Connected™	Yes (V2)
WEB Browser control	Yes
PJLink	Yes (Class2)
SNMP	Yes
Image settings	Yes
HDMI CEC Compatible	Yes
Media Player (USB memory/Internal memory)	Yes
Memory Viewer	Yes
Playlist edit (Remote control operation)	Yes
Data Cloning	Yes
Blue light reduction mode	Yes
Whiteboard/mouse annotation	Yes
Multi Monitoring & Control Software (Early Warning Software) compatible	Yes
Video Wall Manager compatible	Yes
Content management Software compatible	Yes
Screen Transfer Compatible	Yes
Operating Time <sup>1</sup>	18h / day

<sup>1</sup>In case of running for a long time, the moving image is recommended to be displayed. If you display a still picture for an extended period, the image retention might remain on the screen. However, image retention can gradually disappear by displaying movie images.

**STANDARD (CERTIFICATIONS)**

SAFETY REGULATIONS	UL 62368-1, 3rd Ed. CSA C22.2 NO. 62368-1-14, 3rd Ed. EN 62368-1:2014 AS/NZS 62368-1:2018
RADIATION REGULATIONS	47 CFR FCC Part 15 Subpart B, Class A ANSI C63.4:2014 ICES-003 Issue7:2020 EN 55032:2015, EN 61000-3-2:2014 EN 61000-3-3:2013, EN 55035:2017 AS/NZS CISPR32:2015

**REMOTE CONTROL TRANSMITTER**

Power Requirements	DC 3 V (2 x AAA Size batteries)
Operating distance	Approx. 7 m <sup>1</sup>
Weight	Approx. 63 g including batteries
Dimensions (W x H x D)	48 x 134 x 20 mm

<sup>1</sup>When operated directly in front of receptor.

**INCLUDED ACCESSORIES**

- Remote Control x 1 - Batteries (AAA size) x 2
- AC cord (approx. 2.0 m) x 1 - Clamper x 2 - SLOT Adapter x 1
- Operating Instruction Book

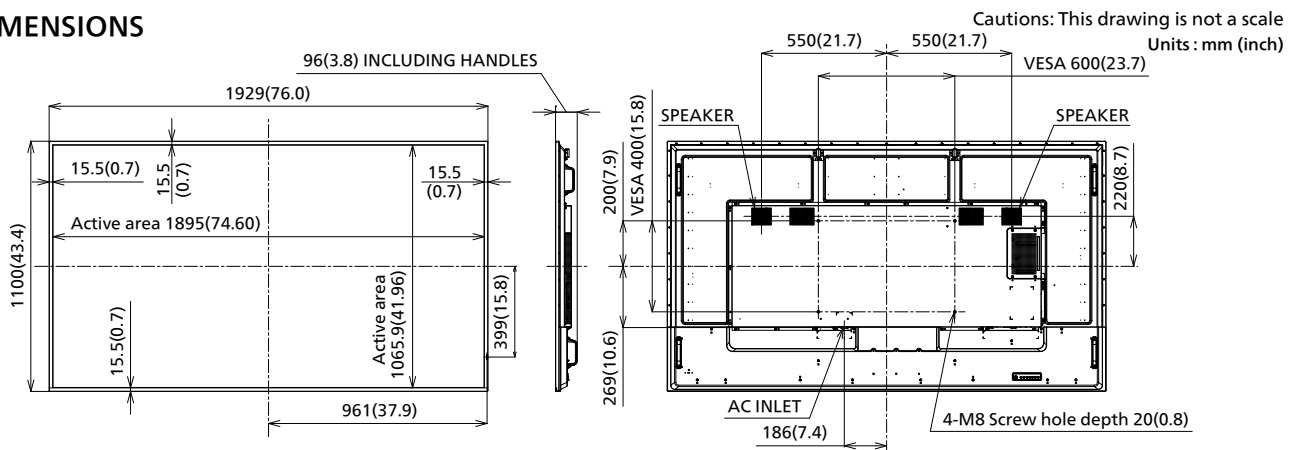
**COMPATIBLE SOFTWARE**

- Multi Monitoring & Control Software
- CMS Content Management Software
- Video Wall Manager

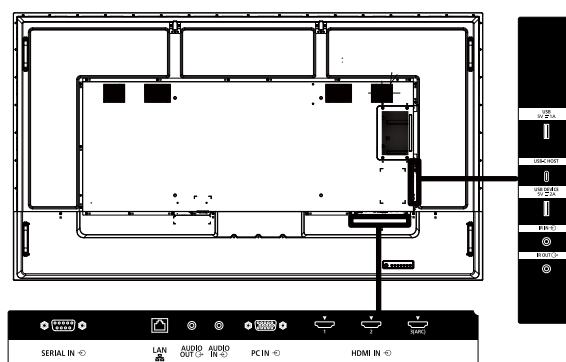
**OPTIONAL ACCESSORIES**

Wall-Hanging Bracket	TY-WK98PV1
Early Warning Software Basic license / 3-year license	ET-SWA100 / 105series (Depending on the license type, the symbol at the end of the part number is different.)
3G-SDI Terminal board	TY-SB01SS
12G-SDI Terminal board	TY-SB01QS

**DIMENSIONS**



**CONNECTION TERMINAL**



<sup>1</sup>Specifications and appearance are subject to change without notice.

## List of correspondence signals

The picture signal which can indicate this machine is as it is the following table.

Correspondence signal	Resolution (dot)	Scan rate		Dot clock rate (MHz)	Format <sup>2</sup>	Plug and play compatible signal <sup>15</sup>						
		Horizontal (kHz)	Vertical (Hz)			HDMI			USB-C		PC	
						4K/60p <sup>5</sup>	4K/30p	2K	4K/60p	4K/30p		2K
480/60i	720 x 480i	15.73	59.94	13.50	Y	-	-	-	-	-	-	-
576/50i	720 x 576i	15.63	50.00	13.50	Y	-	-	-	-	-	-	-
480/60i	720 (1440) x 480i <sup>1</sup>	15.73	59.94	27.00	H/UC	○	○	○	-	-	-	-
576/50i	720 (1440) x 576i <sup>1</sup>	15.63	50.00	27.00	H/UC	○	○	○	-	-	-	-
480/60p	720 x 483	31.47	59.94	27.00	Y/H/UC	○	○	○	○	○	○	-
576/50p	720 x 576	31.25	50.00	27.00	Y/H/UC	○	○	○	○	○	○	-
720/60p	1280 x 720	45.00	60.00	74.25	Y/H/UC	○	○	○	○	○	○	-
720/50p	1280 x 720	37.50	50.00	74.25	Y/H/UC	○	○	○	○	○	○	-
1080/60i	1920 x 1080i	33.75	60.00	74.25	Y/H/UC	○	○	○	○	○	○	-
1080/50i	1920 x 1080i	28.13	50.00	74.25	Y/H/UC	○	○	○	○	○	○	-
1080/24p	1920 x 1080	27.00	24.00	74.25	Y/H/UC	○	○	○	○	○	○	-
1080/24PsF	1920 x 1080i	27.00	48.00	74.25	Y/H/UC	-	-	-	-	-	-	-
1080/25p	1920 x 1080	28.13	25.00	74.25	Y/H/UC	○	○	○	○	○	○	-
1080/30p	1920 x 1080	33.75	30.00	74.25	Y/H/UC	○	○	○	○	○	○	-
1080/60p	1920 x 1080	67.50	60.00	148.50	Y/H/UC	○	○	○	○	○	○	-
1080/50p	1920 x 1080	56.25	50.00	148.50	Y/H/UC	○	○	○	○	○	○	-
2K/24p	2048 x 1080	27.00	24.00	74.25	H/UC	-	-	-	-	-	-	-
2K/25p	2048 x 1080	28.13	25.00	74.25	H/UC	-	-	-	-	-	-	-
2K/30p	2048 x 1080	33.75	30.00	74.25	H/UC	-	-	-	-	-	-	-
2K/48p	2048 x 1080	54.00	48.00	148.50	H/UC	-	-	-	-	-	-	-
2K/60p	2048 x 1080	67.50	60.00	148.50	H/UC	-	-	-	-	-	-	-
2K/50p	2048 x 1080	56.25	50.00	148.50	H/UC	-	-	-	-	-	-	-
3840 x 2160/24p	3840 x 2160	54.00	24.00	297.00	H/UC	○	○	-	○	○	-	-
3840 x 2160/25p	3840 x 2160	56.25	25.00	297.00	H/UC	○	○	-	○	○	-	-
3840 x 2160/30p	3840 x 2160	67.50	30.00	297.00	H/UC	○	○	-	○	○	-	-
3840 x 2160/60p	3840 x 2160	135.00	60.00	594.00	H/UC	○	-	-	○	-	-	-
3840 x 2160/50p	3840 x 2160	112.50	50.00	594.00	H/UC	○	-	-	○	-	-	-
4096 x 2160/24p	4096 x 2160	54.00	24.00	297.00	H/UC	○	○	-	○	○	-	-
4096 x 2160/25p	4096 x 2160	56.25	25.00	297.00	H/UC	○	○	-	○	○	-	-
4096 x 2160/30p	4096 x 2160	67.50	30.00	297.00	H/UC	○	○	-	○	○	-	-
4096 x 2160/60p	4096 x 2160	135.00	60.00	594.00	H/UC	○	-	-	○	-	-	-
4096 x 2160/50p	4096 x 2160	112.50	50.00	594.00	H/UC	○	-	-	○	-	-	-
640 x 400/70	640 x 400	31.47	70.09	25.18	R/H/UC	-	-	-	-	-	-	-
640 x 400/85	640 x 400	37.86	85.08	31.50	R/H/UC	-	-	-	-	-	-	-
640 x 480/60	640 x 480	31.47	59.94	25.18	R/H/UC	○	○	○	○	○	○	○
640 x 480/67	640 x 480	35.00	66.67	30.24	R/H/UC	-	-	-	-	-	-	-
640 x 480/73	640 x 480	37.86	72.81	31.50	R/H/UC	-	-	-	-	-	-	-
640 x 480/75	640 x 480	37.50	75.00	31.50	R/H/UC	-	-	-	-	-	-	-
640 x 480/85	640 x 480	43.27	85.01	36.00	R/H/UC	-	-	-	-	-	-	-
800 x 600/56	800 x 600	35.16	56.25	36.00	R/H/UC	-	-	-	-	-	-	-
800 x 600/60	800 x 600	37.88	60.32	40.00	R/H/UC	○	○	○	○	○	○	○
800 x 600/72	800 x 600	48.08	72.19	50.00	R/H/UC	-	-	-	-	-	-	-
800 x 600/75	800 x 600	46.88	75.00	49.50	R/H/UC	-	-	-	-	-	-	-
800 x 600/85	800 x 600	53.67	85.06	56.25	R/H/UC	-	-	-	-	-	-	-
832 x 624/75	832 x 624	49.72	74.55	57.28	R/H/UC	-	-	-	-	-	-	-
852 x 480/60	852 x 480	31.47	59.94	34.24	H/UC	-	-	-	-	-	-	-
1024 x 768/50	1024 x 768	39.55	50.00	51.89	H/UC	-	-	-	-	-	-	-
1024 x 768/60	1024 x 768	48.36	60.00	65.00	R/H/UC	○	○	○	○	○	○	○
1024 x 768/70	1024 x 768	56.48	70.07	75.00	R/H/UC	-	-	-	-	-	-	-
1024 x 768/75	1024 x 768	60.02	75.03	78.75	R/H/UC	-	-	-	-	-	-	-
1024 x 768/82	1024 x 768	65.55	81.63	86.00	R/H/UC	-	-	-	-	-	-	-
1024 x 768/85	1024 x 768	68.68	85.00	94.50	R/H/UC	-	-	-	-	-	-	-
1066 x 600/60	1066 x 600	37.64	59.94	53.00	H/UC	-	-	-	-	-	-	-
1152 x 864/60	1152 x 864	53.70	60.00	81.62	H/UC	-	-	-	○	○	○	-
1152 x 864/70	1152 x 864	63.99	70.02	94.20	R/H/UC	-	-	-	-	-	-	-
1152 x 864/75	1152 x 864	67.50	75.00	108.00	R/H/UC	-	-	-	-	-	-	-
1152 x 864/85	1152 x 864	77.09	85.00	119.65	R/H/UC	-	-	-	-	-	-	-
1152 x 870/75	1152 x 870	68.68	75.06	100.00	R/H/UC	-	-	-	-	-	-	-
1280 x 720/60	1280 x 720	44.76	60.00	74.48	R/H/UC	-	-	-	○	○	○	○
1280 x 768/50	1280 x 768	39.55	49.94	65.18	R/H/UC	-	-	-	-	-	-	-
1280 x 768/60	1280 x 768	47.70	60.00	80.14	R/H/UC	-	-	-	-	-	-	-
1280 x 768/60	1280 x 768	47.78	59.87	79.50	R/H/UC	-	-	-	-	-	-	-
1280 x 800/50	1280 x 800	41.20	50.00	68.56	R/H/UC	-	-	-	-	-	-	-
1280 x 800/60	1280 x 800	49.31	59.91	71.00	R/H/UC	-	-	-	-	-	-	-
1280 x 800/60	1280 x 800	49.70	59.81	83.50	R/H/UC	-	-	-	○	○	○	○
1280 x 960/60	1280 x 960	60.00	60.00	108.00	R/H/UC	-	-	-	-	-	-	-
1280 x 960/85	1280 x 960	85.94	85.00	148.50	R	-	-	-	-	-	-	-
1280 x 1024/60	1280 x 1024	63.98	60.02	108.00	R/H/UC	○	○	○	○	○	○	○
1280 x 1024/75	1280 x 1024	79.98	75.02	135.00	R/H/UC	-	-	-	-	-	-	-
1280 x 1024/85	1280 x 1024	91.15	85.02	157.50	R/H/UC	-	-	-	-	-	-	-
1360 x 768/60	1360 x 768	47.71	60.02	85.50	H/UC	-	-	-	-	-	-	-
1360 x 768/60	1360 x 768	47.70	60.00	84.72	H/UC	-	-	-	-	-	-	-
1360 x 768/60	1360 x 768	47.72	59.80	84.75	H/UC	-	-	-	-	-	-	-
1366 x 768/50	1366 x 768	39.55	50.00	69.92	H/UC	-	-	-	-	-	-	-
1366 x 768/60	1366 x 768	48.39	60.03	86.71	R/H/UC	-	-	-	-	-	-	-
1366 x 768/60	1366 x 768	48.00	60.00	72.00	R/H/UC	-	-	-	-	-	-	-
1366 x 768/50	1366 x 768	39.56	49.89	69.00	R/H/UC	-	-	-	-	-	-	-
1366 x 768/60	1366 x 768	47.71	59.79	85.50	R/H/UC	-	-	-	-	-	-	-

Correspondence signal	Resolution (dot)	Scan rate		Dot clock rate (MHz)	Format <sup>2</sup>	Plug and play compatible signal <sup>15</sup>						
		Horizontal (kHz)	Vertical (Hz)			HDMI			USB-C			PC
						4K/60p <sup>6</sup>	4K/30p	2K	4K/60p	4K/30p	2K	
1400 x 1050/60	1400 x 1050	65.22	60.00	122.61	H/UC	-	-	-	-	-	-	-
1400 x 1050/75	1400 x 1050	82.20	75.00	155.85	R/H/UC	-	-	-	-	-	-	-
1440 x 900/60	1440 x 900	55.47	59.90	88.75	R/H/UC	-	-	-	-	-	-	-
1440 x 900/60	1440 x 900	55.92	60.00	106.47	R/H/UC	-	-	-	-	-	-	-
1600 x 900/50	1600 x 900	46.30	50.00	97.05	H/UC	-	-	-	-	-	-	-
1600 x 900/60	1600 x 900	60.00	60.00	108.00	H/UC	-	-	-	-	-	-	-
1600 x 900/60	1600 x 900	55.99	59.95	118.25	H/UC	-	-	-	-	-	-	-
1600 x 900/60	1600 x 900	55.92	60.00	119.00	H/UC	-	-	-	○	○	○	-
1600 x 1200/60	1600 x 1200	75.00	60.00	162.00	R/H/UC	-	-	-	-	-	-	-
1680 x 1050/60	1680 x 1050	65.29	59.95	146.25	R/H/UC	-	-	-	-	-	-	-
1920 x 1080/60	1920 x 1080 <sup>3</sup>	66.59	59.93	138.50	R/H/UC	-	-	-	-	-	-	-
1920 x 1080/60	1920 x 1080	67.50	60.00	148.50	R/H/UC	○	○	○	○	○	○	○
1920 x 1200/60	1920 x 1200	74.04	59.95	154.00	R/H/UC	○	○	○	○	○	○	○
1920 x 2160/60	1920 x 2160	133.29	59.99	277.25	H/UC	-	-	-	-	-	-	-
1920 x 2160/60	1920 x 2160	135.00	60.00	297.00	H/UC	-	-	-	-	-	-	-
2560 x 1440/60	2560 x 1440	88.79	59.95	241.50	H/UC	-	○	-	○	○	-	-
2560 x 1600/50	2560 x 1600	82.37	49.95	286.00	H/UC	-	-	-	-	-	-	-
2560 x 1600/60	2560 x 1600	98.71	59.97	268.50	H/UC	-	-	-	-	-	-	-
3840 x 1080/60	3840 x 1080	66.63	59.97	266.50	H/UC	-	-	-	-	-	-	-
3840 x 2160/30	3840 x 2160	65.69	29.98	262.75	H/UC	-	-	-	○	○	-	-
3840 x 2160/60	3840 x 2160	133.31	60.00	533.25	H/UC	-	-	-	○	-	-	-

<sup>1</sup> Pixel-Repetition signal (dot clock frequency 27.0 MHz) only

<sup>2</sup> Alphabets inside the Format column represent as it follows.

R : D-sub RGB (PC IN)

Y : YCBCR/YPBPR (PC IN)

H : HDMI (HDMI 1, HDMI 2, HDMI 3)

UC : USB-C DP Alt Mode (USB-C HOST)

<sup>3</sup> Based on VESA CVT-RB (Reduced Blanking) standard

<sup>4</sup> YCbCr 4:2:0 format only supported.

<sup>5</sup> Signals with ○ in the plug and play compatible signal column is the signal described in the EDID (extended display identification data) of the display. For the signals without ○ in the plug and play compatible signal column, the resolution may not be selected on the computer even if the display is supporting it.

<sup>6</sup> 4K / 60p means 4K / 60p / HDR and 4K / 60p / SDR.

#### Note

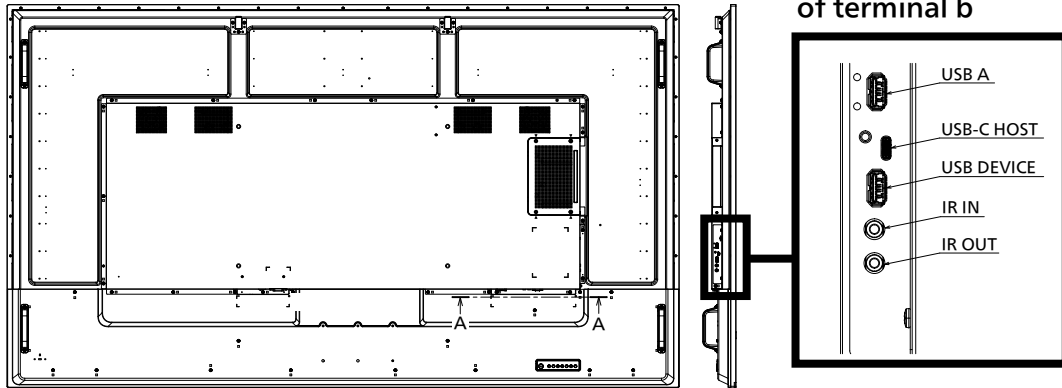
● The signal format distinguished automatically will be sometimes indication different from an actual input signal.

● [ i ] shown after the number of dots of resolution means the interlace signal.

● When 1080/30PsF signal and 1080/25PsF signal are input, they are processed as 1080/60i signal and 1080/50i signal, and then displayed.

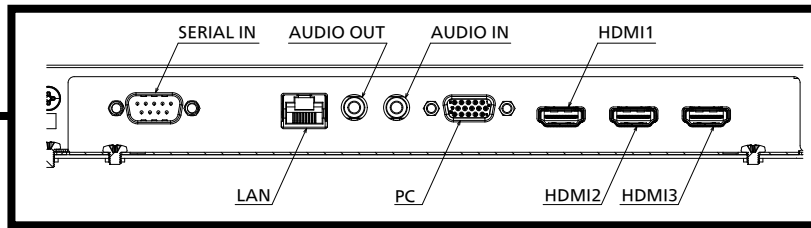
**● Drawing of terminals**

View from back

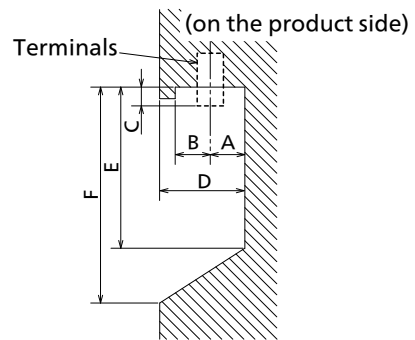


SECTION A-A

Magnified figure of terminal a



Sectional view of terminal a  
(SERIAL IN / LAN / AUDIO OUT / AUDIO IN / PC / HDMI 1/2/3)

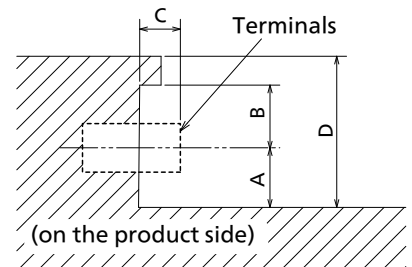


**Terminal a**  
**86EQ2W Terminal (Bottom)**

Units : mm (inch)

	SERIAL IN	LAN	AUDIO IN/OUT	PC	HDMI 1/2/3
A	14.6 (0.57)	13.0 (0.51)	14.8 (0.58)	14.5 (0.57)	11.7 (0.46)
B	10.4 (0.41)	12.0 (0.47)	10.2 (0.40)	10.5 (0.41)	13.3 (0.52)
C	5.1 (0.21)	-	2.5 (0.10)	5.1 (0.21)	-
D	28.8 (1.13)				
E	95.5 (3.75)				
F	107.3 (4.22)				

Sectional view of terminal b  
(USB A / USB DEVICE / USB C / IR IN / IR OUT)



**Terminal b**  
**86EQ2W Terminal (Side)**

Units : mm (inch)

	USB A/ USB DEVICE	USB C	IR IN/OUT
A	13.8 (0.54)	10.0 (0.39)	14.8 (0.58)
B	11.2 (0.44)	15.0 (0.59)	10.2 (0.40)
C	-	-	2.5 (0.10)
D	28.8 (1.13)		

<sup>1</sup> Due to the construction of terminal, some types of connecting cable or USB memory device cannot be used. Be sure to use connecting cable or USB memory device after confirmation in this drawing.