

Short throw zoom lens

Description

This short throw zoom lens is designed for use with a Panasonic's applicable projector. The lens makes it possible to vary the projection distance by changing the focal distance.

NOTE: Please use the lens only on the specified Panasonic projectors.

Specifications

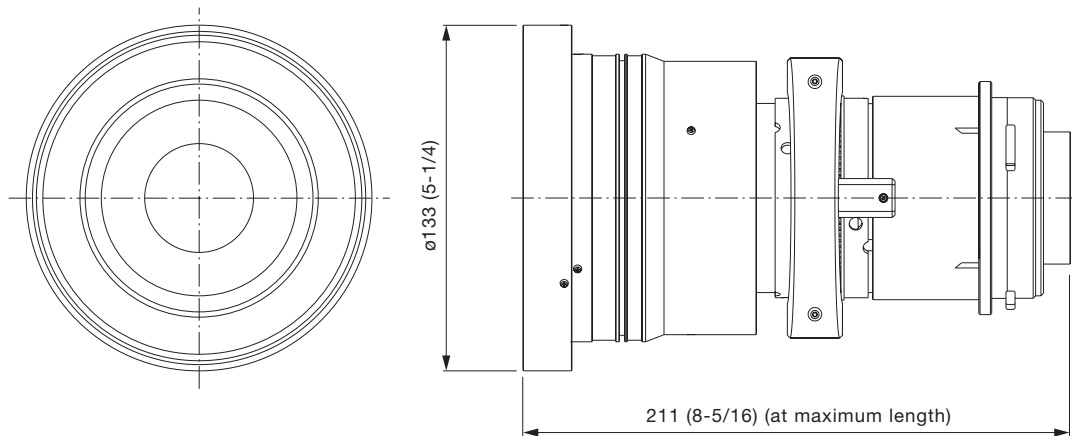
F value:	2.0-2.4
Focal distance (f):	13.27 mm - 16.56mm
Throw ratio:	WUXGA 0.78 - 0.98:1 for PT-MZ770/MZ670/MZ570/EZ770Z (16:10 aspect ratio) WXGA 0.78 - 0.98:1 for PT-MW730/MW630/MW530/EW730Z (16:10 aspect ratio) XGA 0.8 - 1.0:1 for PT-EX800Z (4:3 aspect ratio)
Dimensions (W x H x D):	133 x 133 x 211*1 mm (5-1/4 x 5-1/4 x 8-5/16*1 inches)
Weight:	Approx. 1.2 kg*2 (2.7 lbs*2)
Applicable projector:	[GROUP A] PT-EZ580 series: PT-EZ580/EZ580L/EW640/EW640L/EX610/EX610L/EW540/EW540L/ EX510/EX510L PT-EZ770Z series: PT-EZ770Z/EZ770ZL/EW730Z/EW730ZL/EX800Z/EX800ZL [GROUP B] PT-MZ670series: PT-MZ670/MZ670L/MZ570/MZ570L/MW630/MW630L/MW530/MW530L PT-MZ770series: PT-MZ770/MZ770L/MW730/MW730L

*1 At maximum length.

*2 Average value. May dif fer depending on the actual unit.

The throw ratio is an approximate value calculated by dividing the screen width by the projection distance.

Dimensions



NOTE: Please read the projector's instruction manual for throw distances.

Weights and dimensions shown are approximate. Specifications subject to change without notice.

unit : mm (inch)

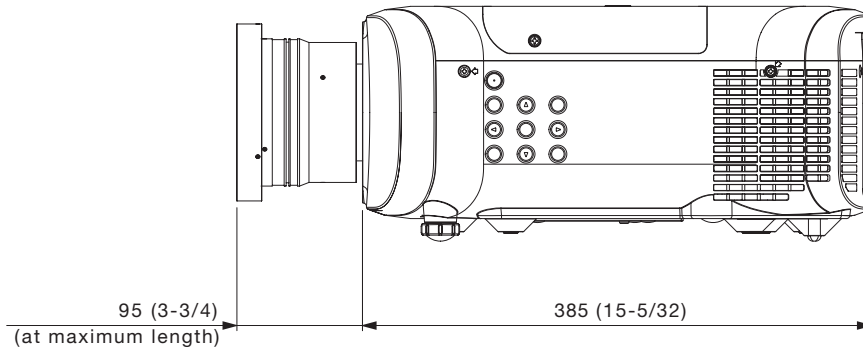
NOTE: This illustration is not drawn to scale.

The illustration shows the lens attached to the projector.

[GROUP A]

PT-EZ580 series: PT-EZ580/EZ580L/EW640/EW640L/EX610/EX610L/EW540/EW540L/EX510/EX510L

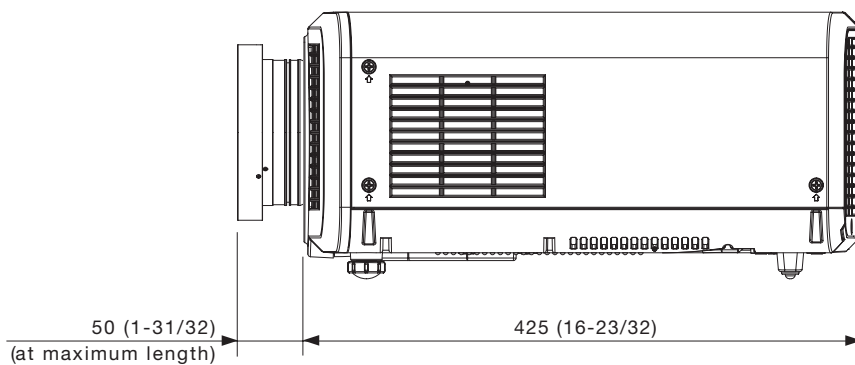
PT-EZ770Z series: PT-EZ770Z/EZ770ZL/EW730Z/EW730ZL/EX800Z/EX800ZL



[GROUP B]

PT-MZ670 series: PT-MZ670/MZ670L/MZ570/MZ570L/MW630/MW630L/MW530/MW530L

PT-MZ770 series: PT-MZ770/MZ770L/MW730/MW730L



NOTE: Please read the projector's instruction manual for throw distances.
Weights and dimensions shown are approximate. Specifications subject to change without notice.

unit : mm (inch)
NOTE: This illustration is not drawn to scale.