

This zoom lens is designed for use with Panasonic's applicable projectors.

**Please use the lens only on the specified Panasonic projector.*

Specifications (Specifications subject to change without notice.)

| | | |
|----------------------|---|-------------------------|
| F value | 1.84 - 2.24 | |
| Focal distance (f) | 12.31 mm - 15.43 mm [1/2 - 19/32 inches] | |
| Throw ratio | 0.550 - 0.690:1 (16:10 aspect ratio) 0.550 - 0.690:1 (16:9 aspect ratio) 0.660 - 0.830:1 (4:3 aspect ratio) | |
| Dimensions | Width | 179 mm [7 1/16 inches] |
| | Height | 175 mm [6 7/8 inches] |
| | Depth | 284 mm [11 3/16 inches] |
| Weight | 5.20 kg (11.46 lbs) | |
| Applicable projector | PT-MZ20KL/PT-MZ17KL/PT-MZ14KL/PT-MZ11KL/PT-MZ16KL/PT-MZ13KL/PT-MZ10KL | |

Dimensions

unit : mm [inch]
This illustration is not drawn to scale.

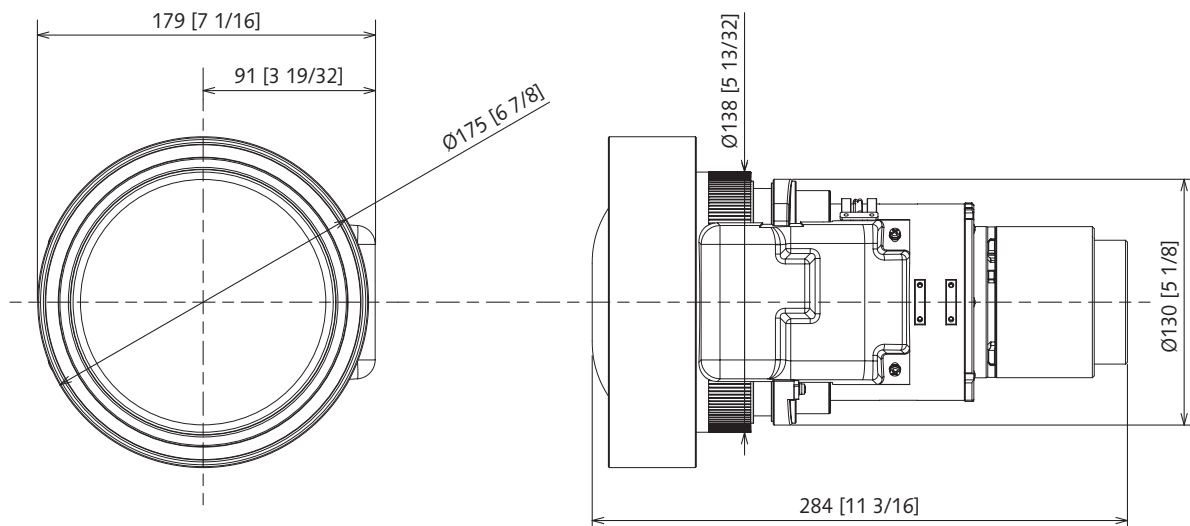
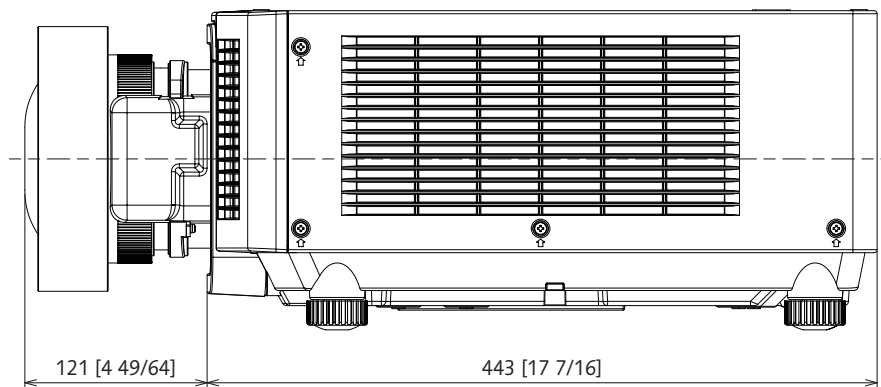


Figure attached to the [PT-MZ20KL/PT-MZ17KL/PT-MZ14KL/PT-MZ11KL/PT-MZ16KL/PT-MZ13KL/PT-MZ10KL] projector



Please read the projector's instruction manual for throw distances.