

This zoom lens is designed for use with Panasonic's applicable projectors.

*\*Please use the lens only on the specified Panasonic projector.*

**Specifications** (Specifications subject to change without notice.)

F value	1.84 - 2.24	
Focal distance (f)	15.30 mm - 21.10 mm [19/32 - 27/32 inches]	
Throw ratio	0.690 - 0.950:1 (16:10 aspect ratio) 0.690 - 0.950:1 (16:9 aspect ratio) 0.830 - 1.15:1 (4:3 aspect ratio)	
Dimensions	Width	179 mm [7 1/16 inches]
	Height	175 mm [6 7/8 inches]
	Depth	284 mm [11 3/16 inches]
Weight	5.05 kg (11.13 lbs)	
Applicable projector	PT-MZ20KL/PT-MZ17KL/PT-MZ14KL/PT-MZ11KL/PT-MZ16KL/PT-MZ13KL/PT-MZ10KL	

**Dimensions**

unit : mm [inch]  
This illustration is not drawn to scale.

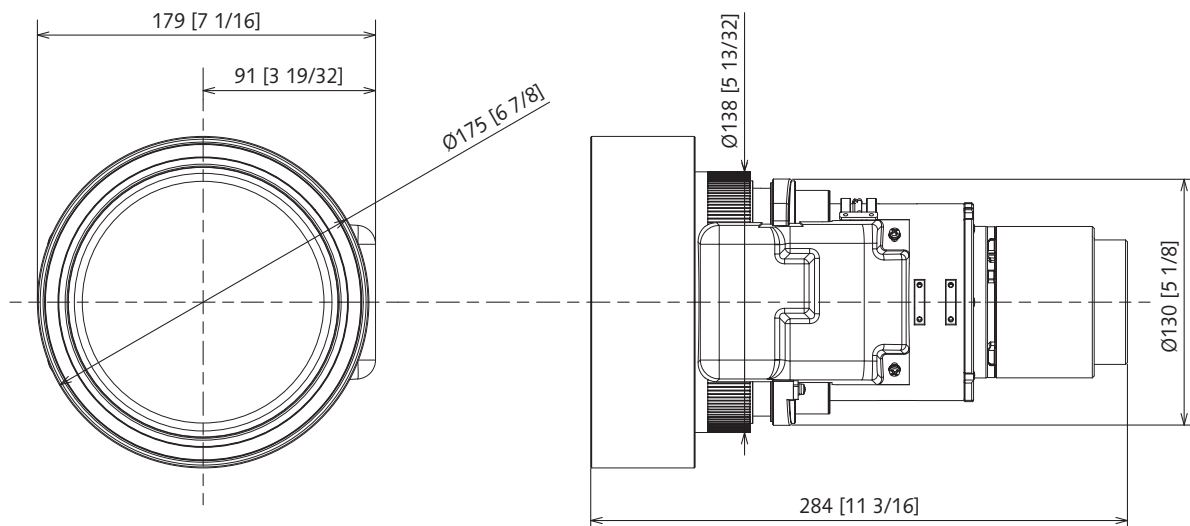
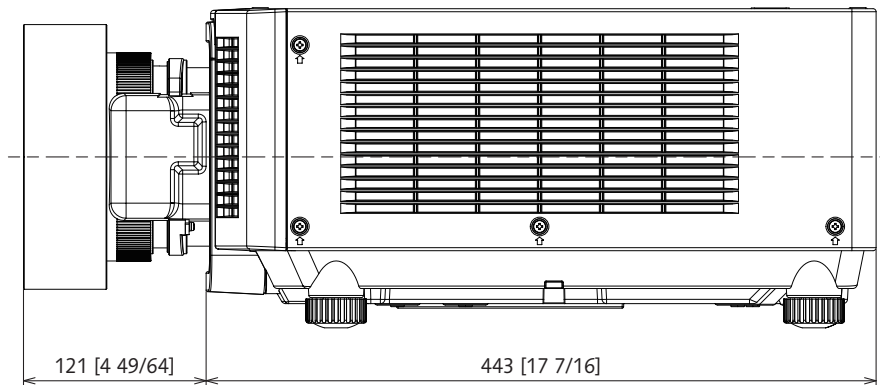


Figure attached to the [PT-MZ20KL/PT-MZ17KL/PT-MZ14KL/PT-MZ11KL/PT-MZ16KL/PT-MZ13KL/PT-MZ10KL] projector



Please read the projector's instruction manual for throw distances.