



**COMPACT** is an electric screen whose features, high quality standard, silent system of fabric dragging and versatility under different projection conditions, make it the right solution for small to medium size rooms. The wide range of fabrics available satisfy almost all the various projection needs.

Available in 4:3, 1:1 and 16:10 formats or *bespoke sizes*.



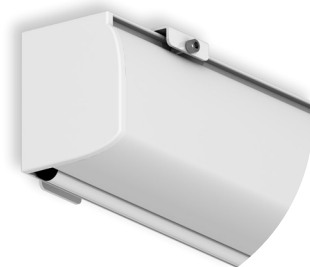
**False ceiling trim kit**  
(optional - for details see p. 52)



**Compact with 3 black borders** (optional)



**Compact with 4 black borders** (optional)



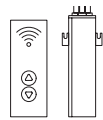
**White side covers**  
(optional)



n.2  
Wall/Ceiling  
brackets



n.1  
On/off  
switcher



Kit RF Remote  
control with  
external  
receiver



Interface  
switch 12 volt



Multiple  
control  
interface set



Interface  
RS485



Low voltage  
contact  
interface



Nm 9  
Rpm 26



Nm 7  
Rpm 18

Faster  
motor

Extremely  
quiet motor

INCLUDED

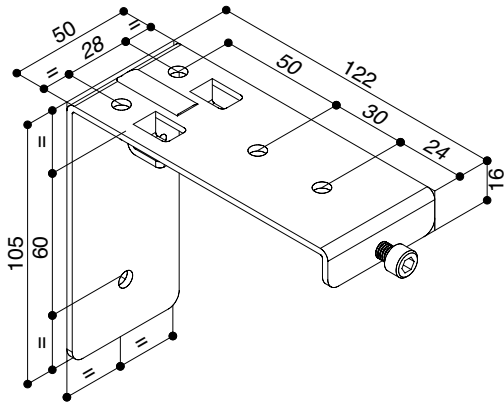
OPTIONAL pag 70-71



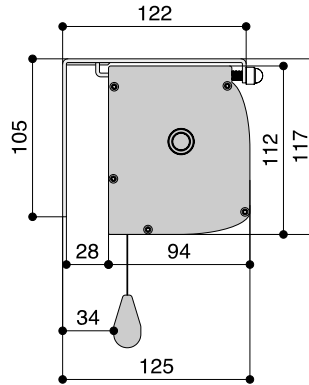
**DROP OF PROJECTION CLOTH**  
STANDARD

**FRONT DROP OF PROJECTION CLOTH**  
(optional)

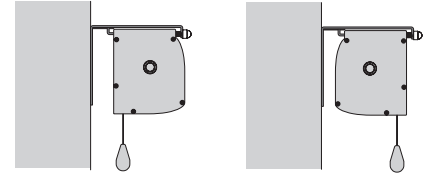
### WALL-CEILING BRACKET



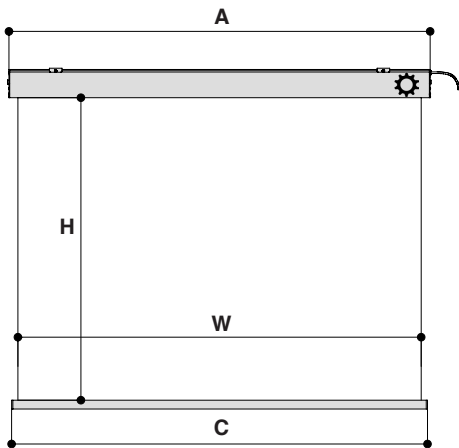
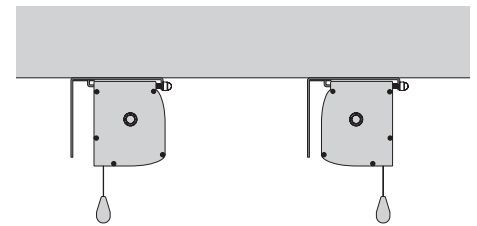
### HOUSING DIMENSIONS



### WALL MOUNTING



### CEILING MOUNTING



### TECHNICAL SPECIFICATIONS

- Silent motor system provides a smooth and quiet operation
  - Power: **6 Nm**
  - Speed: **17 rpm**
  - Power supply: **230V / 50 Hz**
  - Consumption: **137 W**
  - Certification: **IMQ**
- Totally manufactured from aluminium
- Smart design and easy to install
- Housing dimensions: 94x112 mm. (DxH)
- Housing painted with white epoxy powders (RAL 9010)
- White dowel bar: height 35 mm. - depth 20 mm.
- Two universal mounting brackets either for ceiling or for wall included
- On/Off switcher included
- Power cable located at the **right** side of the screen housing seen from the front
- Flame - retardant projection surfaces
- Side black borders of 5 cm. and black dowel bar (optional)
- **Screen housing available in different colours (optional)**

The measures in the drawings are expressed in millimetres.

### DIMENSIONS measures in cm

1:1 Ratio Viewing area (WxH)	4:3 Ratio Viewing area (WxH)	16:10 Ratio Viewing area (WxH)	Overall dimensions A - C	Approx. net weight (Kg)
160 x 160	160 x 120	160 x 100	169 - 164	14
180 x 180	180 x 135	180 x 112	189 - 184	15
200 x 200	200 x 150	200 x 125	209 - 204	17
220 x 220	220 x 165	220 x 137	229 - 224	19
250 x 250	250 x 190	250 x 156	259 - 254	22
-	300 x 225	300 x 187	309 - 304	25

### PROJECTION CLOTHS

Front projection surfaces	Gain	Rear projection surfaces <i>**no black borders**</i>	Gain
White	1.2	Rear Plus	1.1
Matte White	1.2	Front Rear	0.9
Microperforated	1.1		
Pure KS	1.1		
Pure Matte KS	1.1		
Bright Contrast 3D 0.8*	0.8		
Fibre Matte*	1.25		
Green Screen			

\*Limited in height

**Warranty:** 5 years on the motor - 24 months on the other components

