

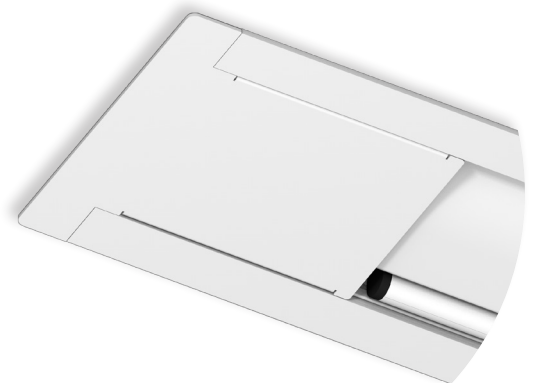


**MAJOR** screen has the same features of the Compact model but guarantees high quality images on bigger dimensions.

This screen is a very good solution for projections to a large audience.

It can be equipped with different types of fabric according to customer's needs.

Available in 4:3, 1:1 and 16:10 ratios or **bespoke sizes**.



**False ceiling trim kit**  
(optional - for details see p. 53)



**Major with 3 black borders** (optional)



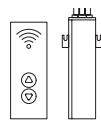
**Major with 4 black borders** (optional)



n.4 Wall/Ceiling brackets



n.1 On/off switcher



Kit RF Remote control with external receiver



Interface switch 12 volt



Low voltage contact interface



Multiple control interface set



Interface RS485



Nm 9 Rpm 26

Faster motor



Nm 7 Rpm 18

Extremely silent motor

**INCLUDED**

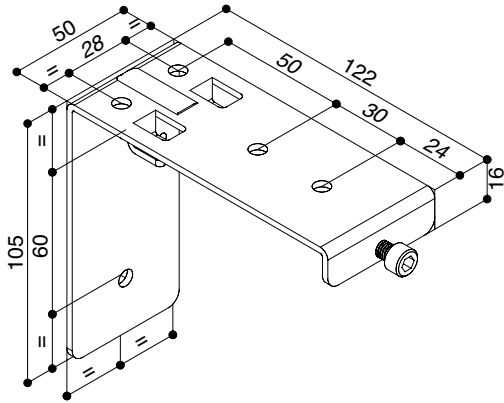
**OPTIONAL** pag 70-71



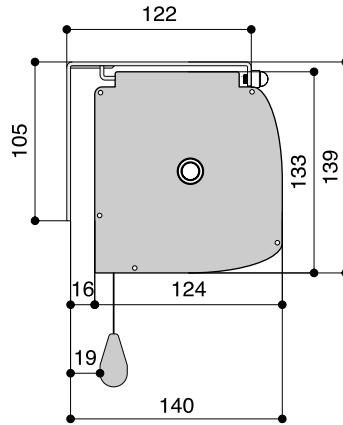
**DROP OF PROJECTION CLOTH**  
STANDARD

**FRONT DROP OF PROJECTION CLOTH**  
(optional)

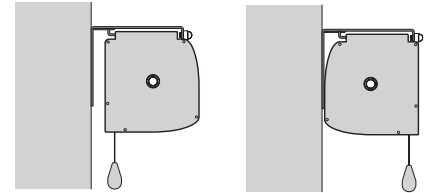
### WALL-CEILING BRACKET



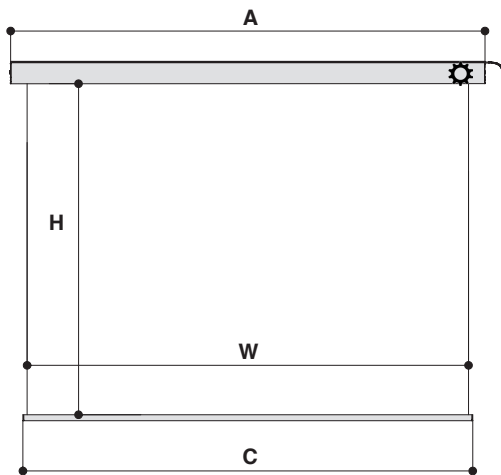
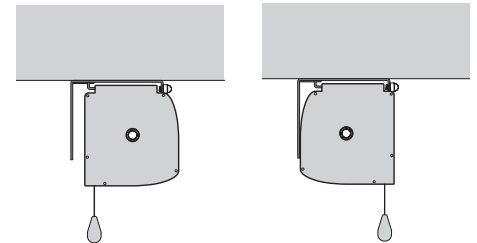
### HOUSING DIMENSIONS



### WALL MOUNTING



### CEILING MOUNTING



### TECHNICAL SPECIFICATIONS

- Silent motor system provides a smooth and quiet operation
  - Power: **10 Nm**
  - Speed: **17 rpm**
  - Power supply: **230V / 50 Hz**
  - Consumption: **156 W**
  - Certification: **IMQ**
- Totally manufactured from aluminium
- Smart design and easy to install
- Housing dimensions: 124x133 mm. (DxH)
- Housing painted with white epoxy powders (RAL 9010)
- White dowel bar: height 35 mm. - depth 20 mm.
- Four universal mounting brackets either for ceiling or for wall included
- On/off switcher included
- Power cable located at the **right** side of the screen housing seen from the front
- Flame - retardant projection surfaces
- Side black borders of 5 cm. and black dowel bar height 35 mm. - depth 20 mm. (optional)
- **Screen housing available in different colours (optional)**

The measures in the drawings are expressed in millimetres.

### DIMENSIONS measures in cm

1:1 Ratio Viewing area (WxH)	4:3 Ratio Viewing area (WxH)	16:10 Ratio Viewing area (WxH)	16:9 Ratio Viewing area (WxH)	Overall dimensions A - C	Approx. net weight (Kg)
300 x 300	-	-	-	311 - 304	25
350 x 350	350 x 265	350 x 219	350 x 197	361 - 354	28
400 x 400	400 x 300	400 x 250	400 x 225	411 - 404	33
-	450 x 340	450 x 281	450 x 253	461 - 454	37

### PROJECTION CLOTHS

Front projection surfaces	Gain	Rear projection surfaces <i>**no black borders**</i>	Gain
White	1.2	Rear Plus	1.1
Matte White	1.2	Front Rear	0.9
Microperforated	1.1		
Pure KS	1.1		
Pure Matte KS	1.1		
Bright Contrast 3D 0.8*	0.8		
Fibre Matte*	1.25		
Green Screen			

\*Limited in height

**Warranty:** 5 years on the motor - 24 months on the other components

